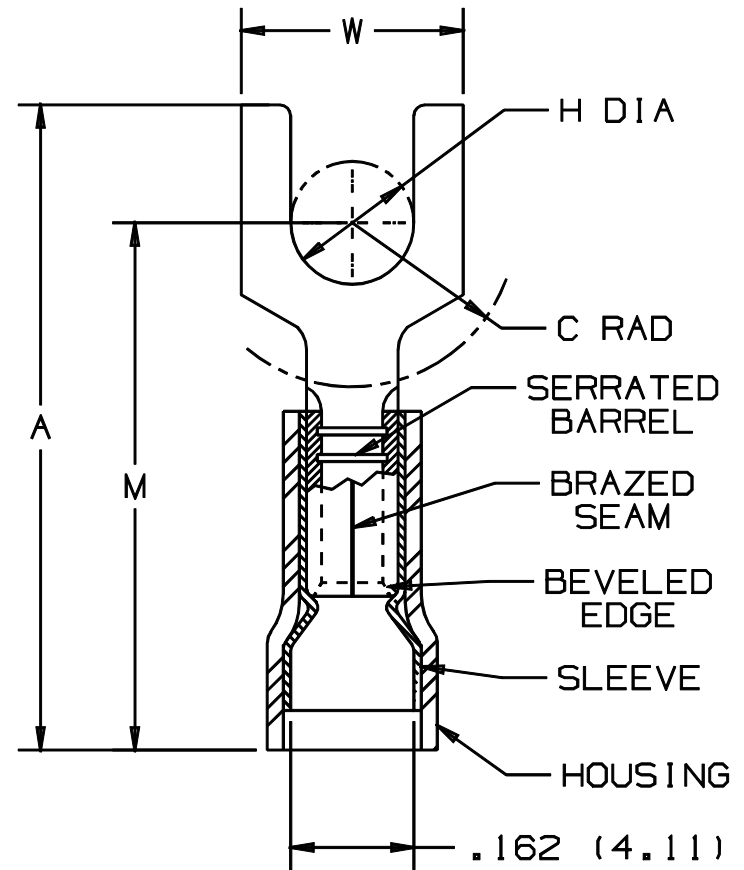


THIS COPY IS PROVIDED ON A RESTRICTED BASIS AND IS NOT TO BE USED IN ANY WAY DETRIMENTAL TO THE INTERESTS OF PANDUIT CORP.

PANDUIT PART NUMBER	STUD SIZE	DIMENSIONS in.				
		A ±.03	W ±.01	C ±.02	M ±.03	H ±.01
PNF14-6F	#6	.80 (20.32)	.28 (7.11)	.22 (5.59)	.66 (16.76)	.15 (3.81)
PNF14-8F	#8	.85 (21.59)	.31 (7.87)	.25 (6.35)	.69 (17.52)	.17 (4.32)
PNF14-10F	#10	.87 (22.10)	.34 (8.64)	.26 (6.60)	.71 (18.03)	.20 (5.08)
PNF14-14F	1/4"	1.05 (26.67)	.44 (11.18)	.35 (8.89)	.80 (20.32)	.27 (6.86)

NOTES:

- UL LISTED AND CSA CERTIFIED FOR:
 - 600V. MAX. VOLTAGE RATING
 - #16-14 AWG SOLID OR STRANDED COPPER WIRE
 - 221° F (105° C) MAX. TEMP. RATING
- MATERIAL:
 - STAMPING - .03" (.762) THK COPPER, TIN PLATED
 - HOUSING - NYLON, BLUE
 - SLEEVE - BRASS, TIN PLATED
- PACKAGE QTY: STD. PKG. - C = 100
BULK PKG. - M = 1000
- DIMENSIONS IN BRACKETS ARE IN MILLIMETERS
- INSTALLATION TOOLS:
 - UL LISTED AND CSA CERTIFIED: CT-100, CT-250, CT-400, CT-460, CT-500, CT-550, CT-1550, CT-1551
 - PANDUIT APPROVED: CT-160, CT-260
- WIRE STRIP LENGTH: $7/32" + \frac{1/32"}{0}$
 - * APPROVED FOR USE WITH #18-#14 AWG EXPANDED WIRE RANGE
 - ** CT-400 & CT-460 ARE UL LISTED ONLY



LISTED
587H
E52164



CERTIFIED
LR31212

.162 (4.11)
MAX. WIRE
INSUL. DIA.
.080 (2.03)
MIN. WIRE
INSUL. DIA.

A41261_05

05	1/01	RM		FILESPEC WAS N41261AA_PCD_04				<p>PANDUIT CORP. TINLEY PARK, ILLINOIS</p> <p>#16-14 BARREL FORK, NYLON INSULATED FUNNELED WIRE ENTRY, .162 (4.11) MAX WIRE INSUL. DIA.</p> <p>DRAWN BY DAW CK'D CJH SCALE NONE DRAWING NO. A41261</p>
04	12/96	JAMB		ADDED DIM., "MIN. WIRE INSUL. DIA."	05382			
03	1/96	ED	RLS	REV.S TO DIM.S & NOTES \ FILESPEC WAS: A41261A.PRT	03916	DBH	LA	
02	7/88	DW		REDRAWN WITH REVISIONS		JB		
REV	DATE	BY	CHK	DESCRIPTION	ECN #	PM	APP	